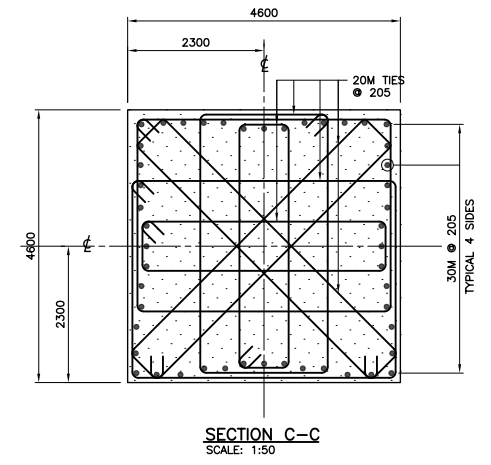
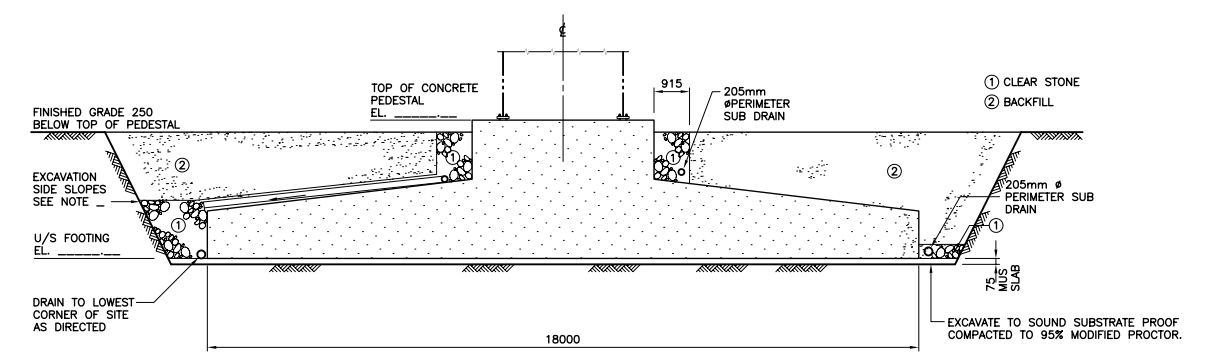
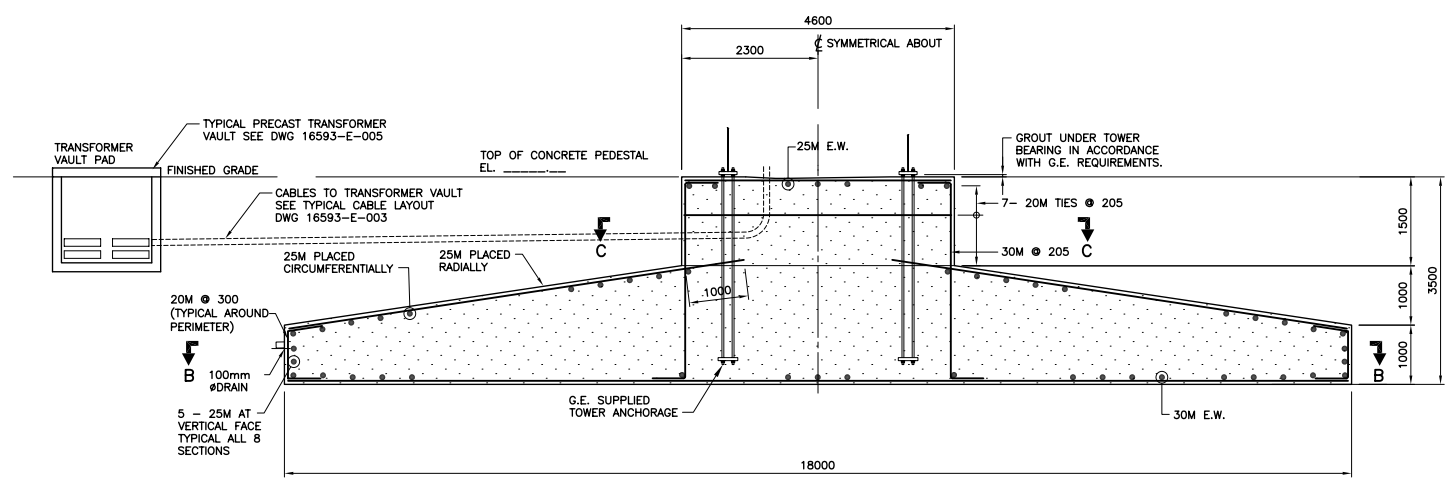
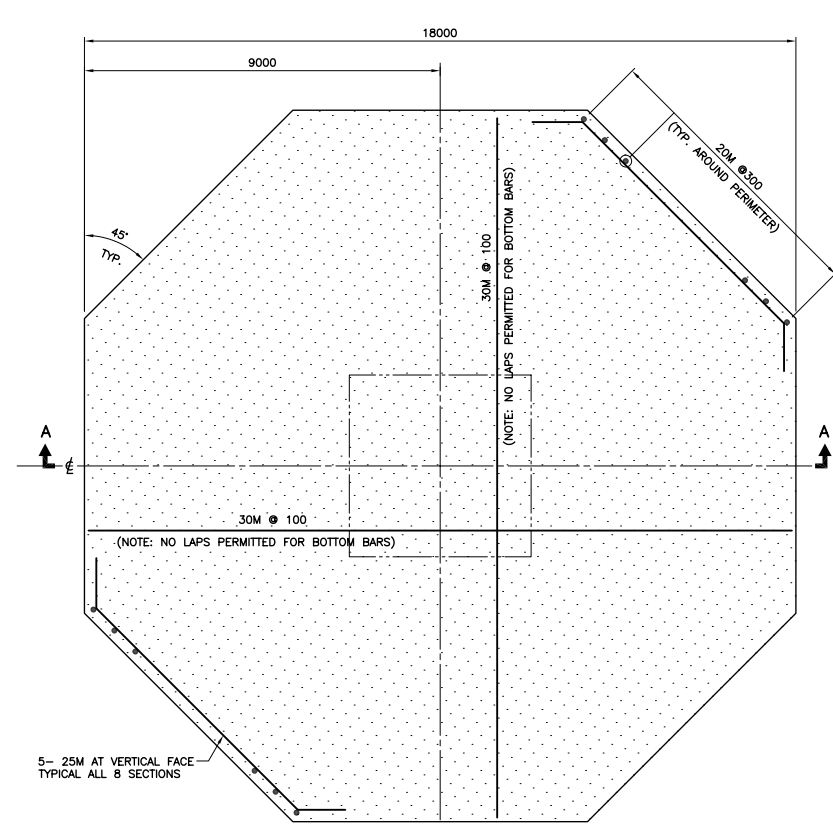
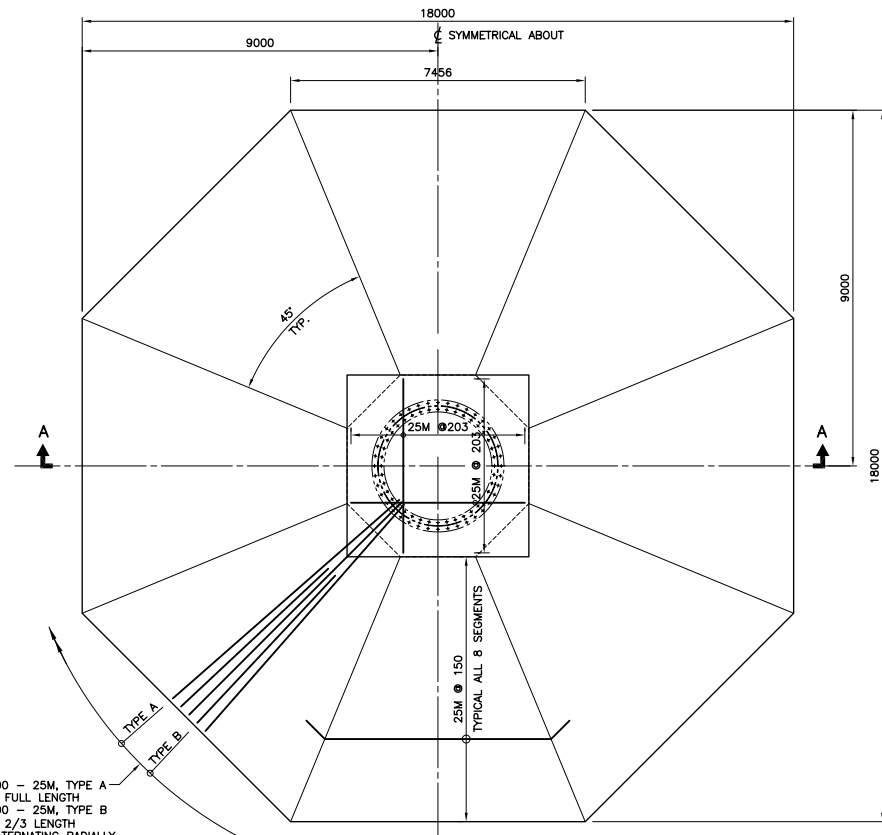


ANNEXE C

Deux types de socles de béton



NOTES
FOUNDATION DESIGN
 1. DESIGN SHOWN IS CONCEPTUAL ONLY AND NOT TO BE USED FOR CONSTRUCTION. DESIGN SHOWN IS BASED ON DATA OF LIMITED EXTENT. ADDITIONAL DATA SHALL BE SOUGHT UNDER THE DIRECTION OF AN EXPERIENCED GEOTECHNICAL ENGINEER. ADDITIONAL DATA TO BE REPRESENTATIVE OF AND COMPATIBLE WITH DIMENSIONS OF LOADED AREA AND WITH SOIL TYPES AND GEOLOGICAL STRATIGRAPHY ENCOUNTERED DURING THE COURSE OF THE DATA ACQUISITION PROCESS, AND SHALL BE PROVIDED TO FOUNDATION DESIGNER.

CONCRETE
 2. CLASS OF CONCRETE IN FOOTING AND PEDESTAL SHALL BE 35MPa SUPER PLASTICIZED MIX. SUPPLIED FREE ISSUE TO POINT OF PLACEMENT.
 3. MINIMUM CLEAR CONCRETE COVER TO REINFORCING STEEL SHALL BE: AGAINST SOIL: 75mm ALL OTHER SURFACES: 50mm
 4. MAXIMUM SIZE COARSE AGGREGATE: 20mm

CONCRETE REINFORCEMENT
 5. REINFORCING STEEL SHALL BE GRADE 60

QUALITY
 6. CONFORM WITH CSA A23.1, .2, .3 AND G.E.W.E. REQUIREMENTS

7. REFER TO TECHNICAL SPECIFICATION FOR GROUNDING, DRAINAGE, EXCAVATION AND BACKFILL PROCEDURES. STOCKPILE AND RE-USE ORGANIC TOPSOIL AND CLASS 2 ACCEPTED NATIVE MATERIAL AS BACKFILL.
 8. LANDSCAPE AND FINISH SITES AS DIRECTED.

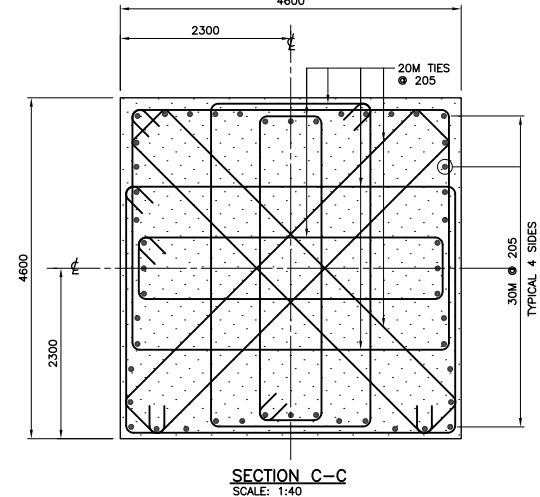
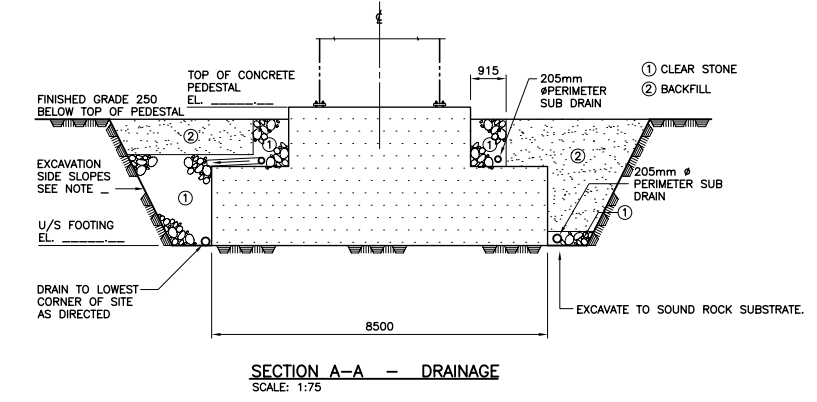
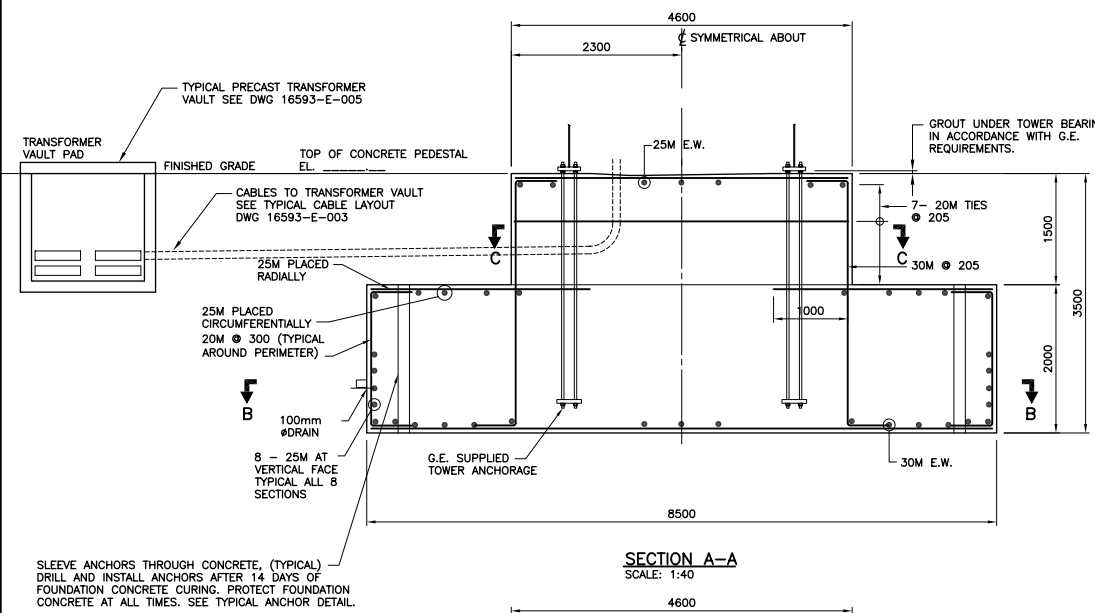
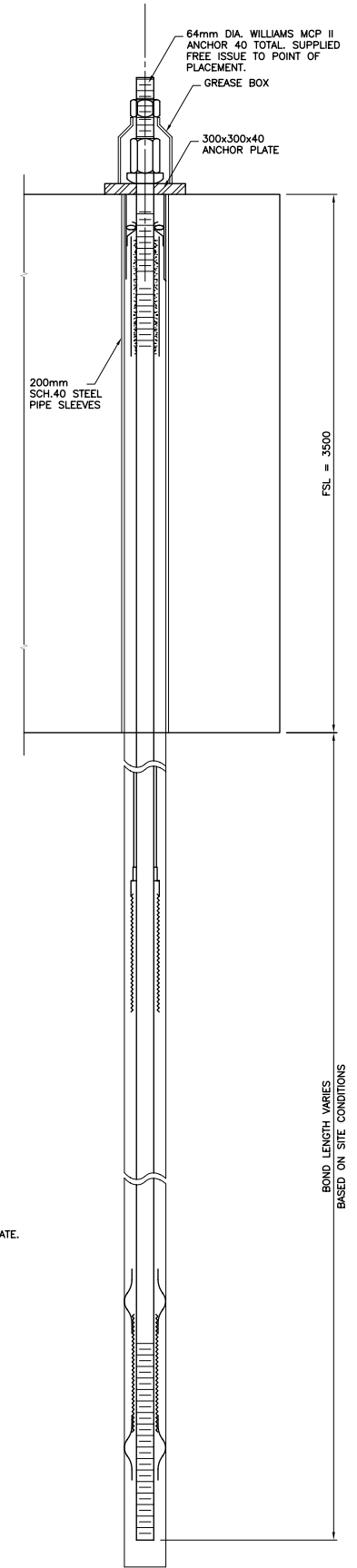
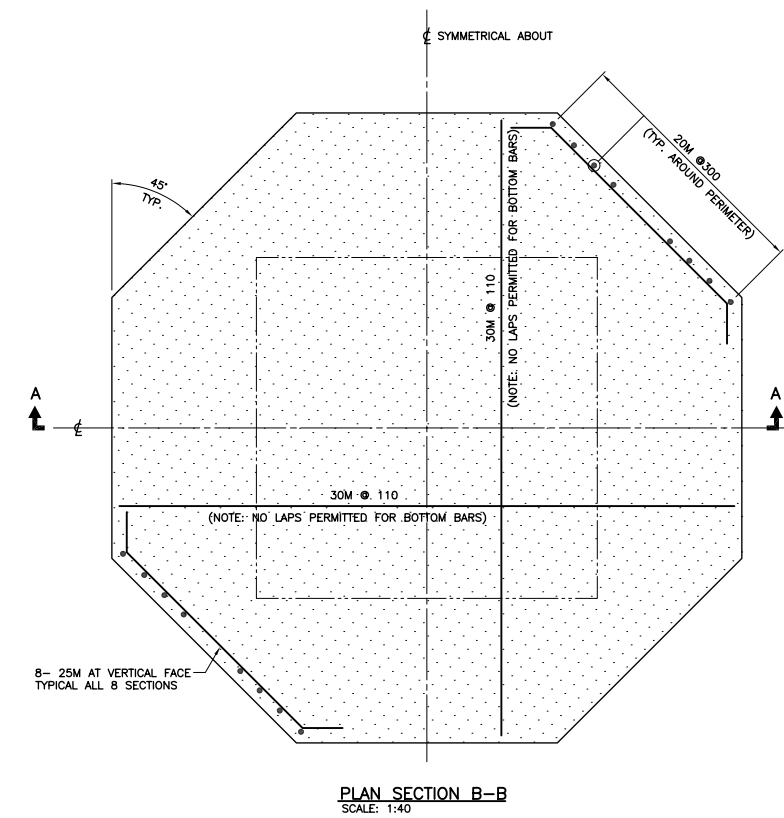
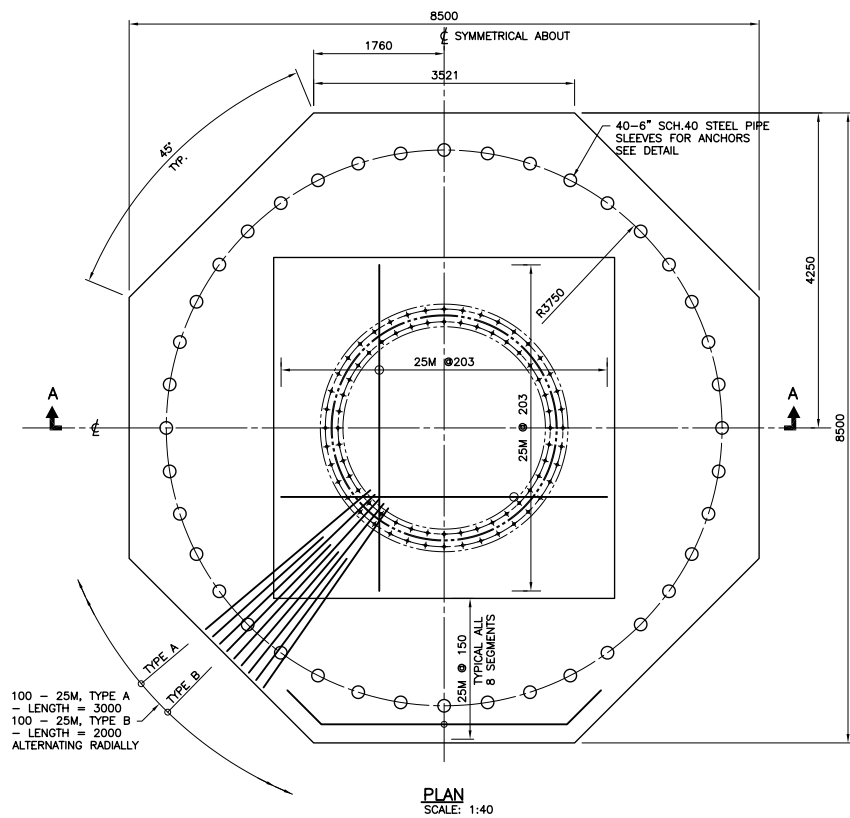
REFERENCE DRAWINGS
 16593-E-001 - GENERAL ARRANGMENT ELECTRICAL
 16593-E-003 - TYPICAL CABLE AND TRANSFORMER VAULT LAYOUT
 16593-E-004 - GROUNDING

QUANTITY
 No. 34 FOUNDATIONS REQUIRED AS SHOWN

THIS DRAWING IS FOR ESTIMATING USE ONLY
 All ratings and sizes of equipment, concrete, steel, and materials, shown on this drawing are approximations only and must not be considered as final design requirements.
DO NOT USE FOR CONSTRUCTION

DRAWING No. **FIGURE_C-001** REV. **A**
 PLOTS/SCALE: 4/11/2011 10:00:00 AM
 Plot Scale: 1:75
 Drawing Name: K:\Projects\VAULT\FIGURE_C-001.dwg

Figure C-001
GRANULAR FOUNDATION CONCRETE AND REINFORCING PLAN, SECTIONS AND DETAILS
HATCH ACRES



- NOTES**
- FOUNDATION DESIGN**
- DESIGN SHOWN IS CONCEPTUAL ONLY AND NOT TO BE USED FOR CONSTRUCTION. DESIGN SHOWN IS BASED ON DATA OF LIMITED EXTENT. ADDITIONAL DATA SHALL BE SOUGHT UNDER THE DIRECTION OF AN EXPERIENCED GEOTECHNICAL ENGINEER. ADDITIONAL DATA TO BE REPRESENTATIVE OF AND COMPATIBLE WITH DIMENSIONS OF LOADED AREA AND WITH SOIL TYPES AND GEOLOGICAL STRATIGRAPHY ENCOUNTERED DURING THE COURSE OF THE DATA ACQUISITION PROCESS, AND SHALL BE PROVIDED TO FOUNDATION DESIGNER.
- CONCRETE**
- CLASS OF CONCRETE IN FOOTING AND PEDESTAL SHALL BE 35MPa SUPER PLASTICIZED MIX. SUPPLIED FREE ISSUE TO POINT OF PLACEMENT.
 - MINIMUM CLEAR CONCRETE COVER TO REINFORCING STEEL SHALL BE: AGAINST SOIL: 75mm ALL OTHER SURFACES: 50mm
 - MAXIMUM SIZE COARSE AGGREGATE: 20mm
- CONCRETE REINFORCEMENT**
- REINFORCING STEEL SHALL BE GRADE 60

- QUALITY**
- CONFORM WITH CSA A23. 1, 2, 3 AND G.E.W.E. REQUIREMENTS
 - REFER TO TECHNICAL SPECIFICATION FOR GROUNDING, DRAINAGE, EXCAVATION AND BACKFILL PROCEDURES, STOCKPILE AND RE-USE ORGANIC TOPSOIL AND CLASS 2 ACCEPTED NATIVE MATERIAL AS BACKFILL.
 - LANDSCAPE AND FINISH SITES AS DIRECTED.

- REFERENCE DRAWINGS**
- 16593-E-001 - GENERAL ARRANGMENT ELECTRICAL
 - 16593-E-003 - TYPICAL CABLE AND TRANSFORMER VAULT LAYOUT
 - 16593-E-004 - GROUNDING

QUANTITY
No. 100 FOUNDATIONS REQUIRED AS SHOWN

THIS DRAWING IS FOR ESTIMATING USE ONLY
All ratings and sizes of equipment, concrete, steel, and materials, shown on this drawing are approximations only and must not be considered as final design requirements.
DO NOT USE FOR CONSTRUCTION

**ROCK FOUNDATION
CONCRETE AND REINFORCING
PLAN, SECTIONS AND DETAILS**



Figure C-002

DRAWING No. **FIGURE_C-002** REV. **A**
PLOT SCALE: 40mm
Drawing Name: K:\Projects\VAH1010101\FIGURE_C-002.dwg
Date: 04/11/2023