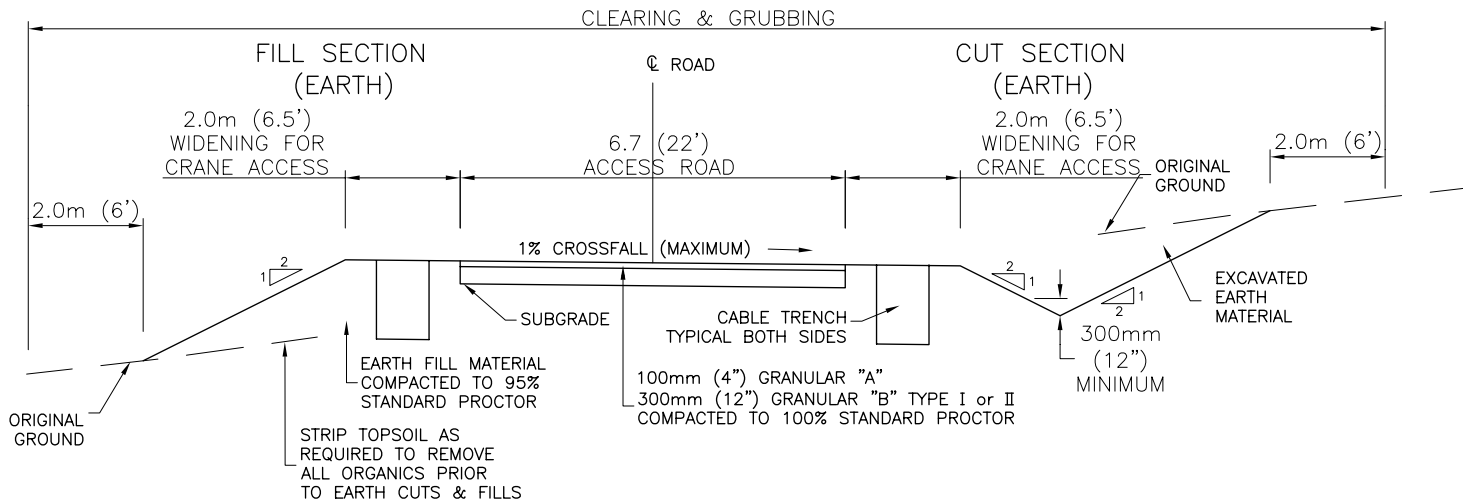


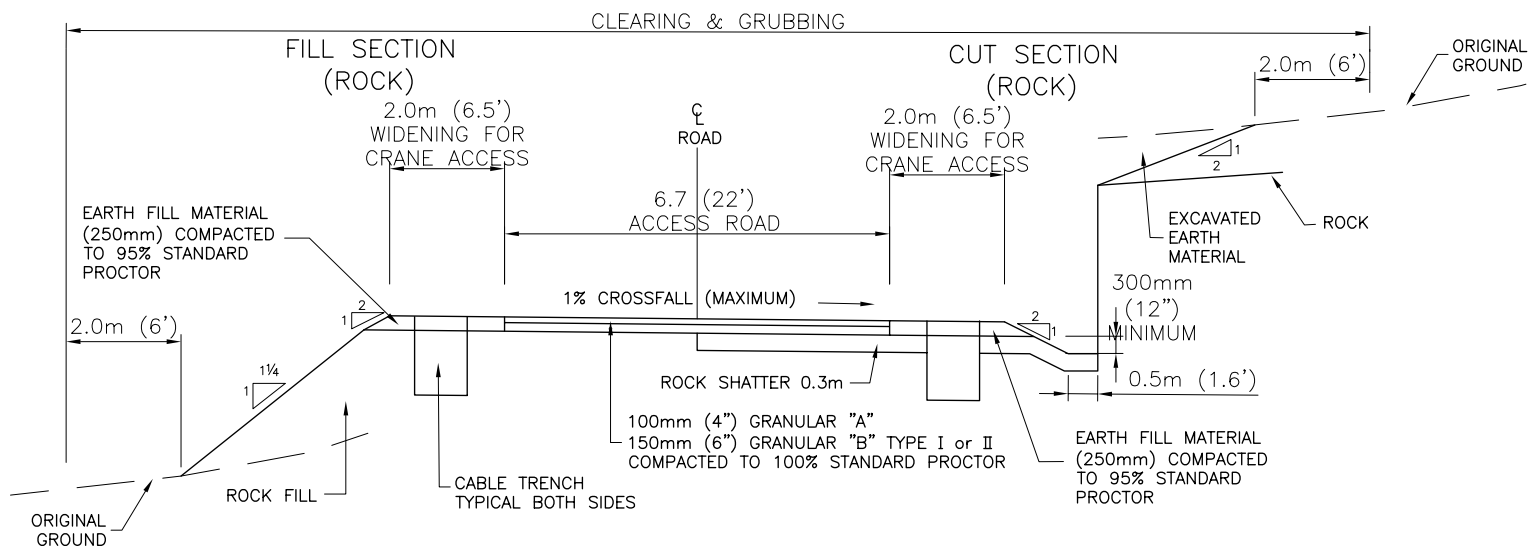
ANNEXE A

Coupes-types – Chemin d'accès, aire de travail et ligne électrique



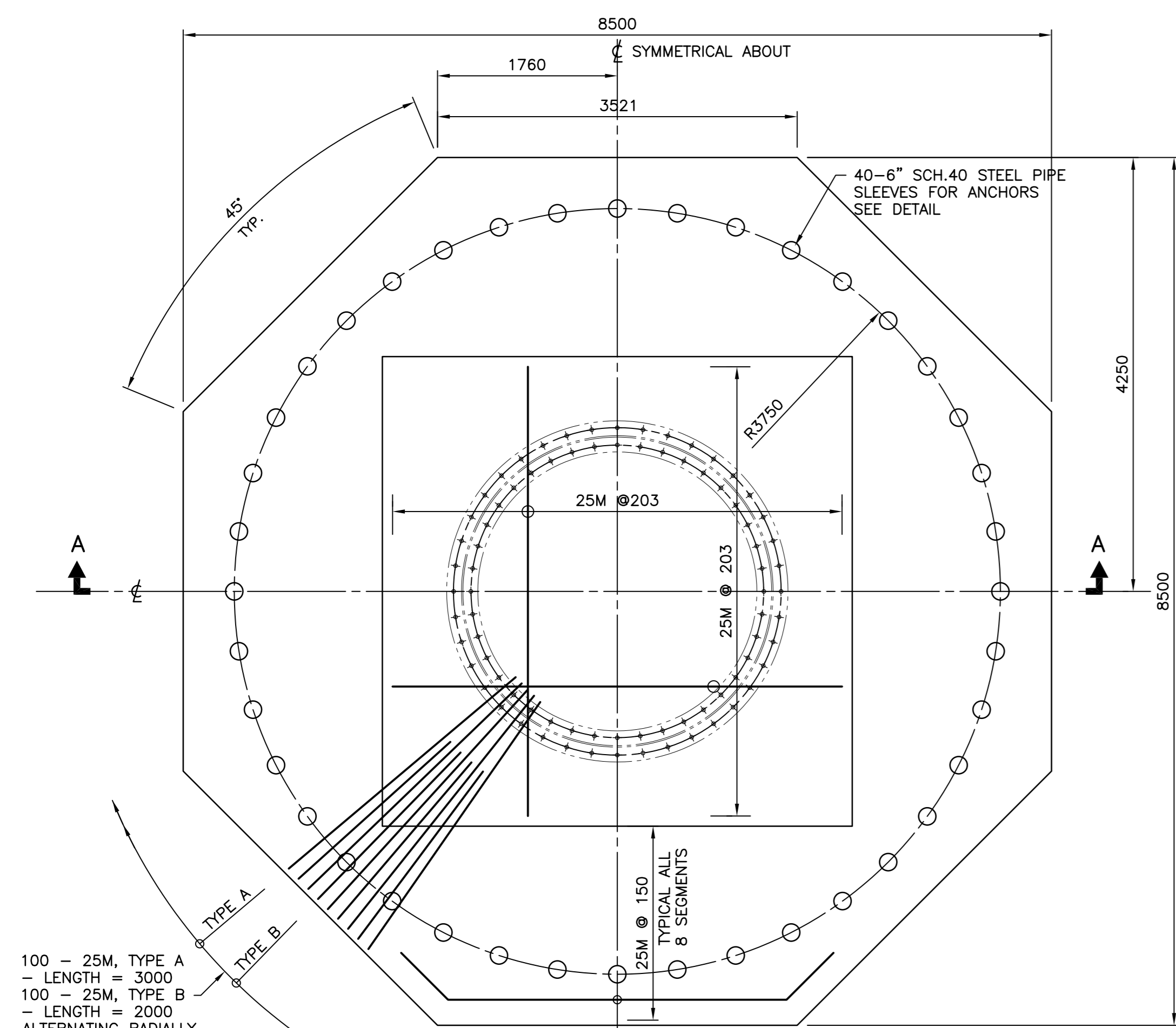
TYPICAL CROSS-SECTION – EARTH CUT & FILL

SCALE – 1:100

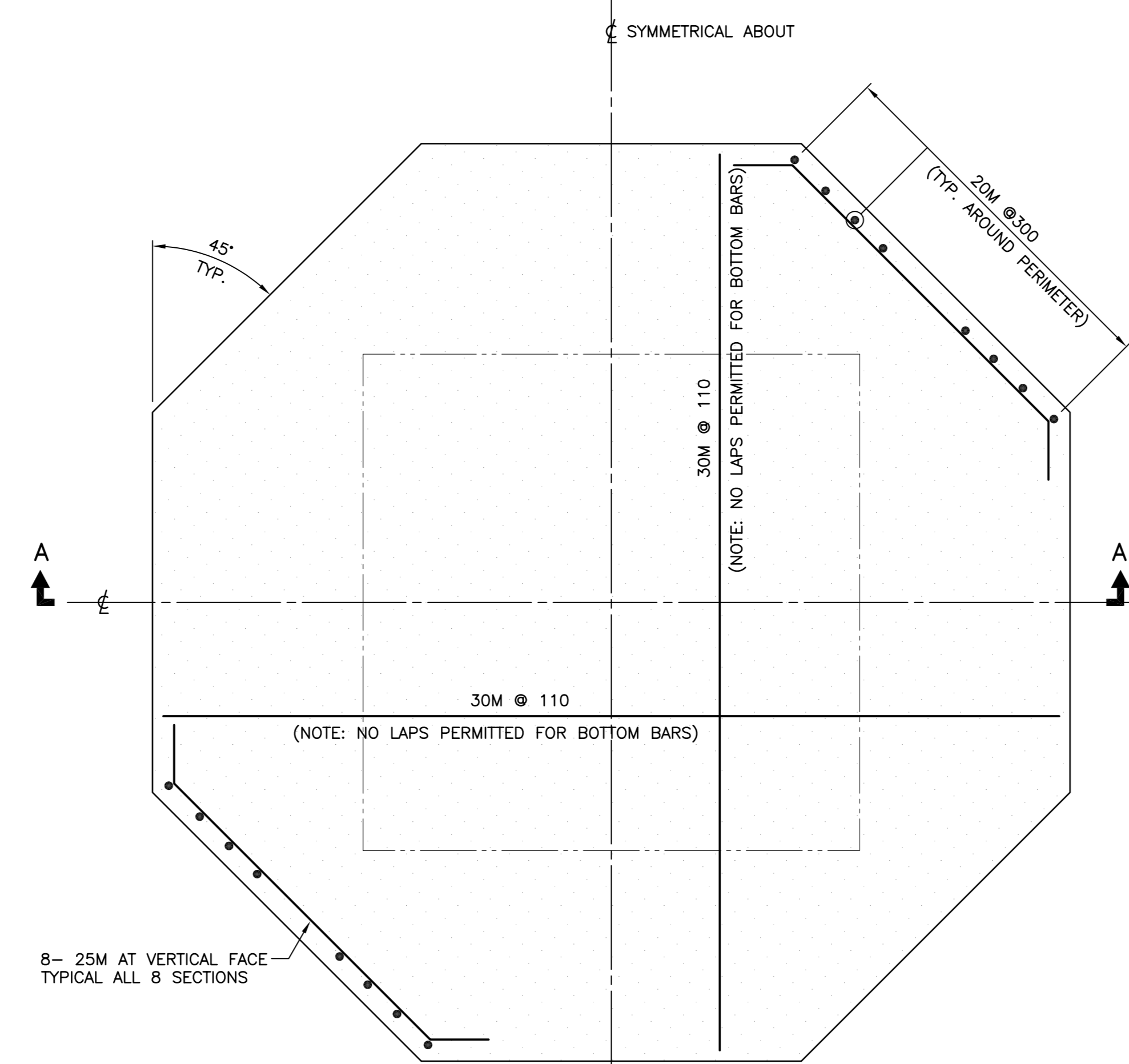


TYPICAL CROSS-SECTION – ROCK CUT & FILL

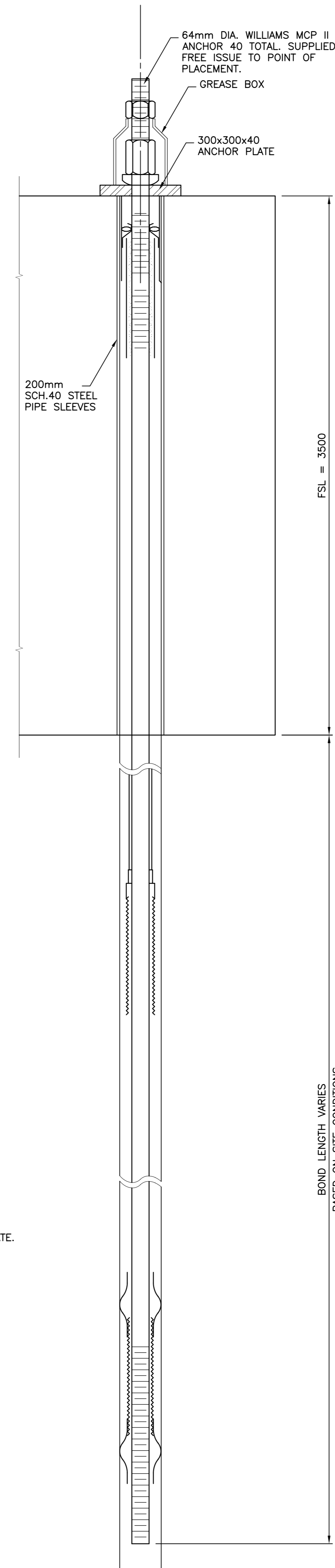
SCALE – 1:100



PLAN
SCALE: 1:40



PLAN SECTION B-B
SCALE: 1:40



NOTES

FOUNDATION DESIGN

- DESIGN SHOWN IS CONCEPTUAL ONLY AND NOT TO BE USED FOR CONSTRUCTION. DESIGN SHOWN IS BASED ON DATA OF LIMITED EXTENT. ADDITIONAL DATA SHALL BE SOUGHT UNDER THE DIRECTION OF AN EXPERIENCED GEOTECHNICAL ENGINEER. ADDITIONAL DATA TO BE REPRESENTATIVE OF AND COMPATIBLE WITH DIMENSIONS OF LOADED AREA AND WITH SOIL TYPES AND GEOLOGICAL STRATIGRAPHY ENCOUNTERED DURING THE COURSE OF THE DATA ACQUISITION PROCESS, AND SHALL BE PROVIDED TO FOUNDATION DESIGNER.

CONCRETE

- CLASS OF CONCRETE IN FOOTING AND PEDESTAL SHALL BE 35MPa SUPER PLASTICIZED MIX, SUPPLIED FREE ISSUE TO POINT OF PLACEMENT.
- MINIMUM CLEAR CONCRETE COVER TO REINFORCING STEEL SHALL BE: AGAINST SOIL: 75mm ALL OTHER SURFACES: 50mm
- MAXIMUM SIZE COARSE AGGREGATE: 20mm

CONCRETE REINFORCEMENT

- REINFORCING STEEL SHALL BE GRADE 60

QUALITY

- CONFORM WITH CSA A23.1, .2, .3 AND G.E.W.E. REQUIREMENTS

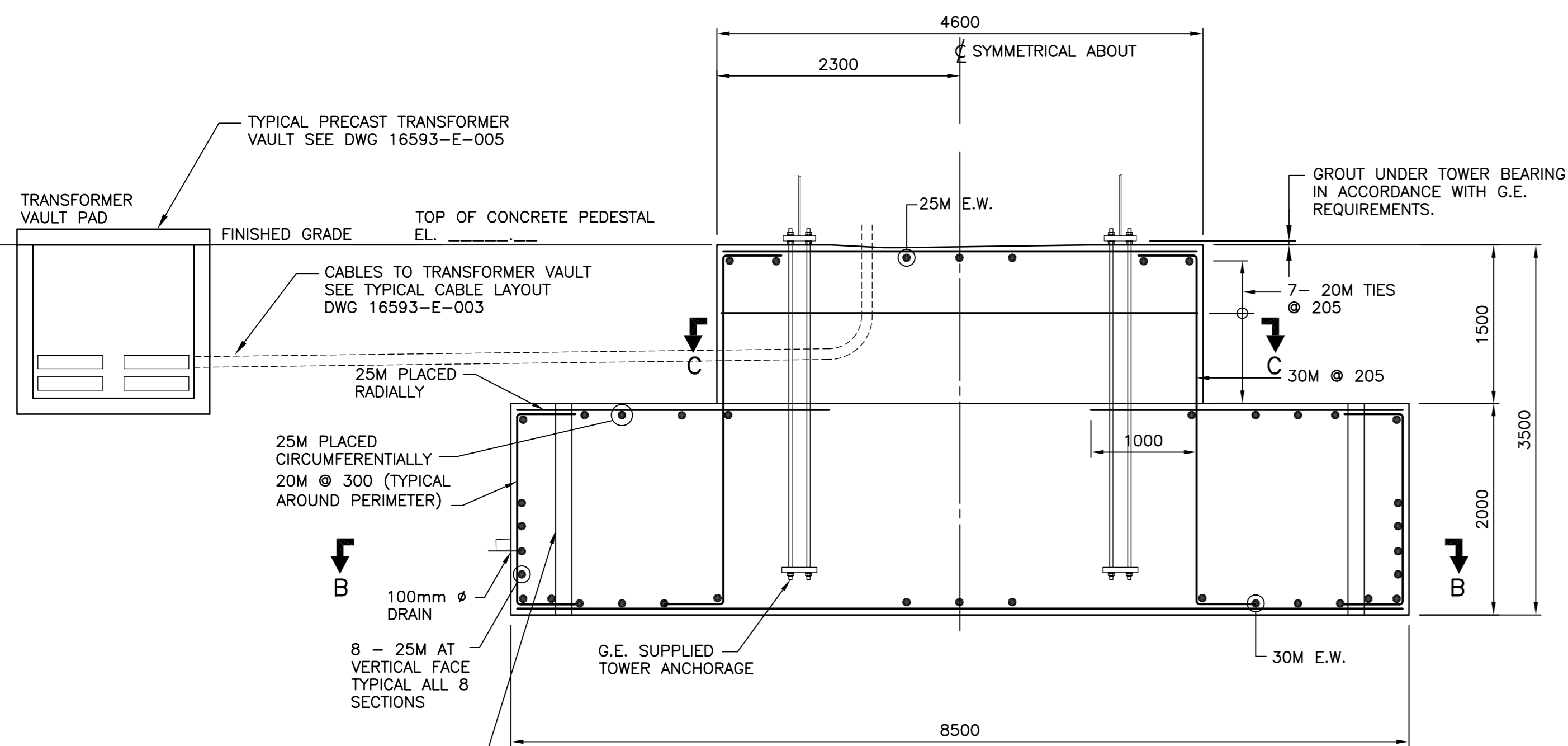
- REFER TO TECHNICAL SPECIFICATION FOR GROUNDING, DRAINAGE, EXCAVATION AND BACKFILL PROCEDURES. STOCKPILE AND RE-USE ORGANIC TOPSOIL AND CLASS 2 ACCEPTED NATIVE MATERIAL AS BACKFILL.
- LANDSCAPE AND FINISH SITES AS DIRECTED.

REFERENCE DRAWINGS

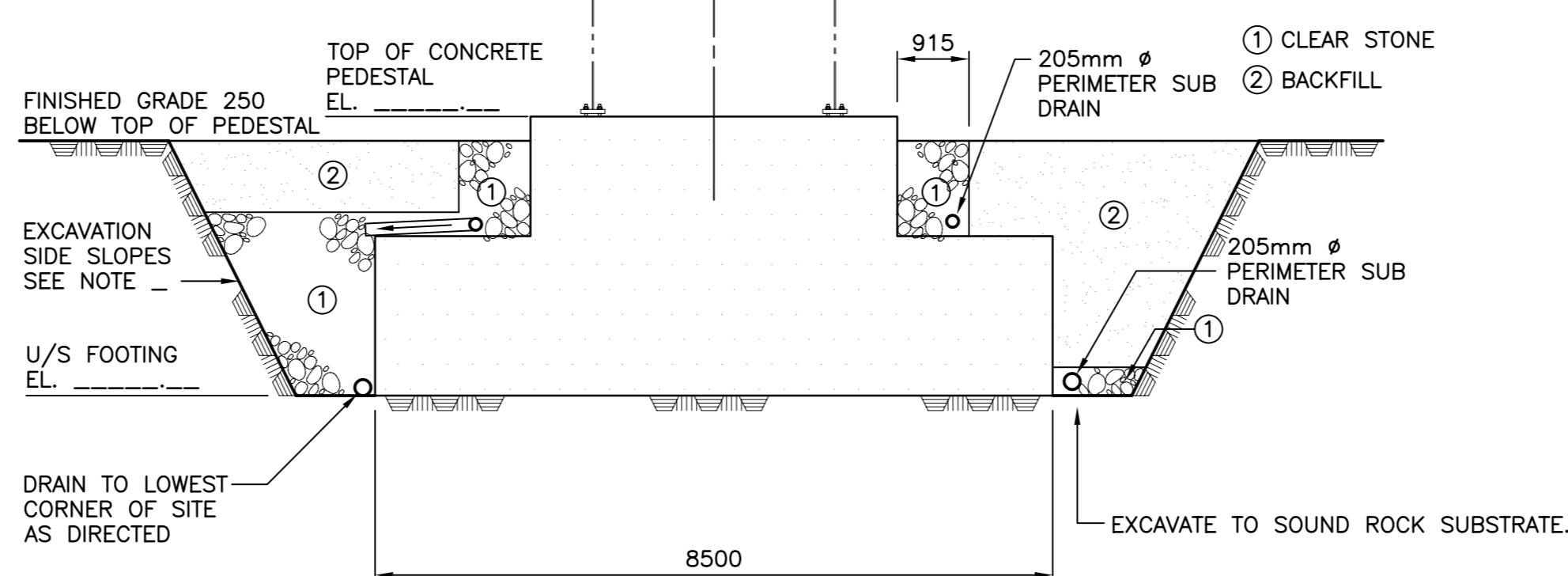
- 16593-E-001 - GENERAL ARRANGMENT ELECTRICAL
- 16593-E-003 - TYPICAL CABLE AND TRANSFORMER VAULT LAYOUT
- 16593-E-004 - GROUNDING

QUANTITY

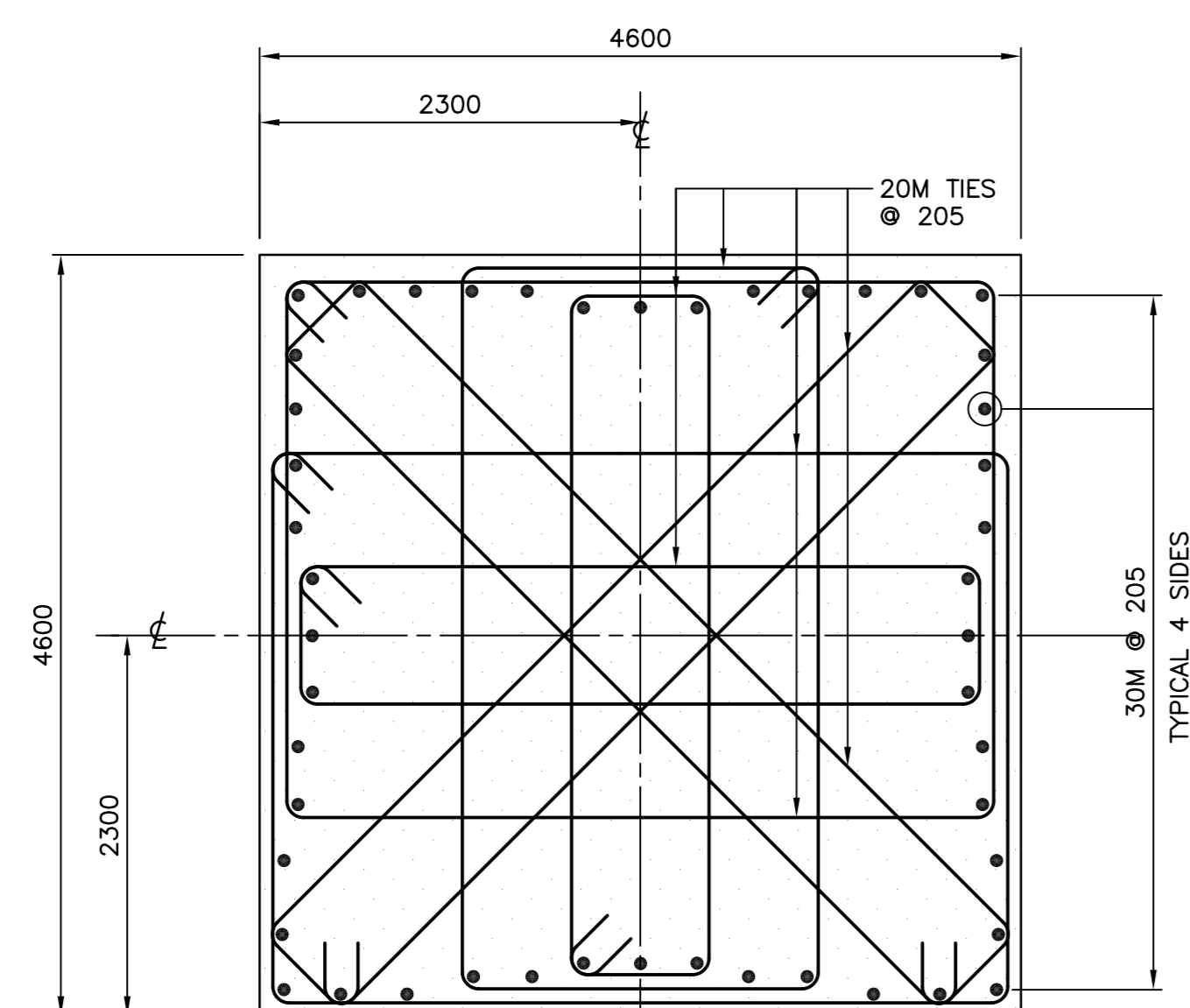
No. 100 FOUNDATIONS REQUIRED AS SHOWN



SECTION A-A
SCALE: 1:40



SECTION A-A - DRAINAGE
SCALE: 1:75



SECTION C-C
SCALE: 1:40

SLEEVE ANCHORS THROUGH CONCRETE. (TYPICAL) DRILL AND INSTALL ANCHORS AFTER 14 DAYS OF FOUNDATION CONCRETE CURING. PROTECT FOUNDATION CONCRETE AT ALL TIMES. SEE TYPICAL ANCHOR DETAIL.

BOND LENGTH VARIES BASED ON SITE CONDITIONS

THIS DRAWING IS FOR ESTIMATING USE ONLY
All ratings and sizes of equipment, concrete, steel, and materials, shown on this drawing are approximations only and must not be considered as final design requirements.
DO NOT USE FOR CONSTRUCTION

16593-E-002 REV. A

ELECTRICAL MECHANICAL GEOTECHNICAL HISTORICAL ARCHITECTURAL OTHER

DATE	NO.	ISSUE / REVISION	CH.	APP.	APP.
APR 8, 2005	1	ISSUED FOR ESTIMATE PURPOSES			

CONCEPTEUR
I. SHAW

DESIGNATEUR
D. CLARKE

VERIFICATEUR
D. RUPAY

DATE

DESSINATEUR
D. CLARKE

ING. DE DISCIPLINE

ING. DE PROJET

DATE

DIRECTEUR DE PROJET
D. RUPAY

DATE

SKYPOWER TERRAVINDS RESOURCES CORP.

TITRE DU PROJET
PROJET TERRAVENTS

**ROCK FOUNDATION
CONCRETE AND REINFORCING
PLAN, SECTIONS AND DETAILS**

REV. **A**