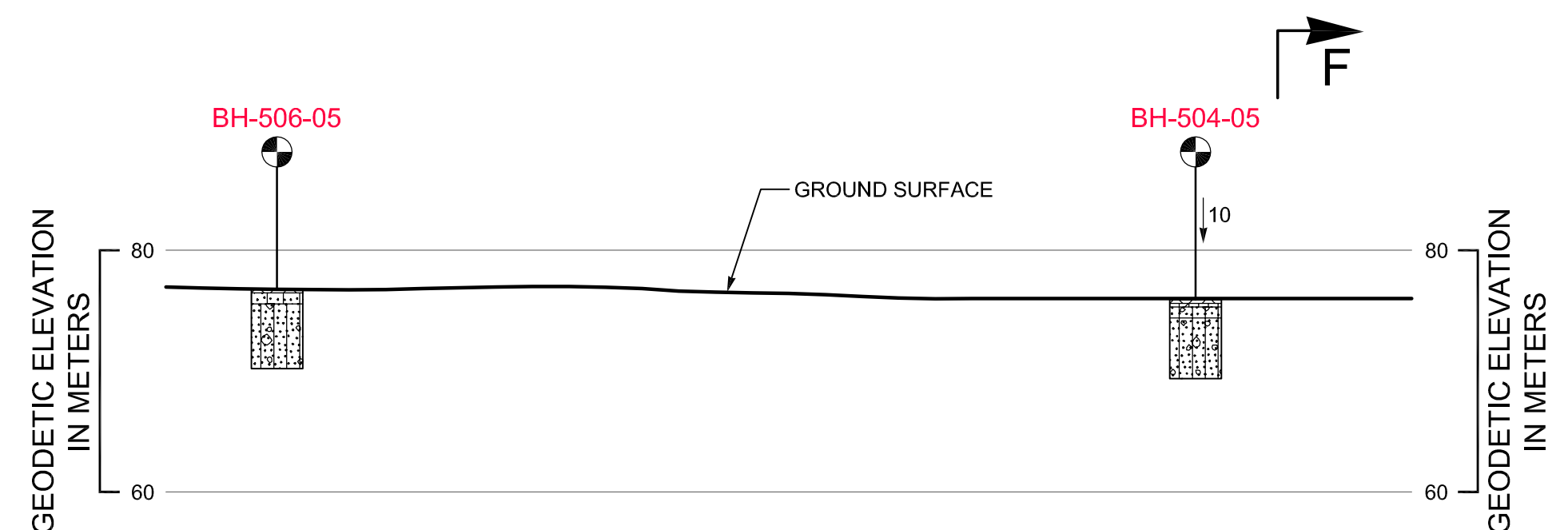
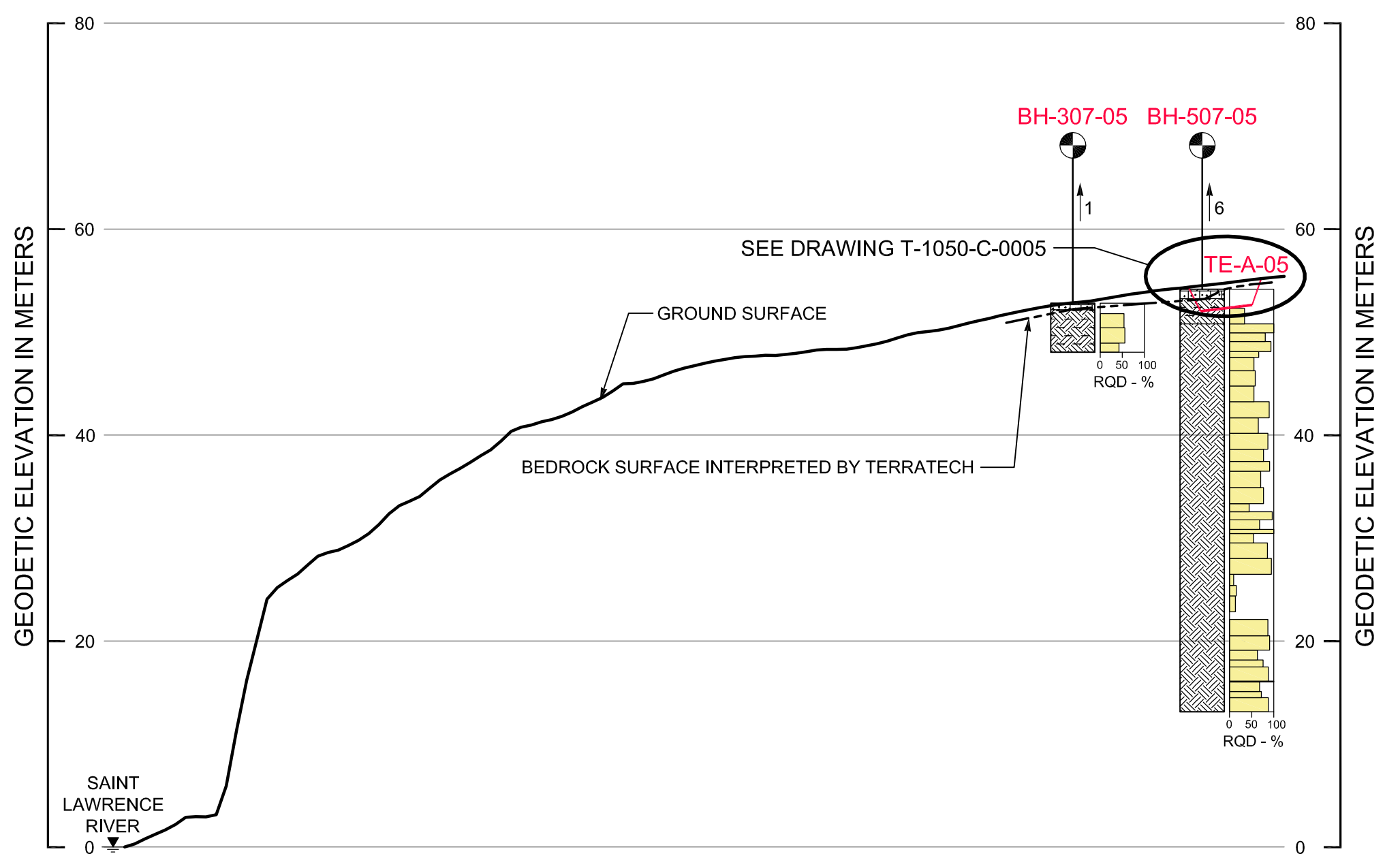


SECTION F-F



SECTION G-G



SECTION H-H

SOIL STRATIGRAPHY

	FILL		ORGANIC SOIL
	CLAY		SILT
	SAND		GRAVEL
	COBBLES OR BOULDERS		BEDROCK

LEGEND

	BH-101-05	VERTICAL BOREHOLE - RECENT INVESTIGATION (NOTE 5)
	BH-401-05	BOREHOLE AND DYNAMIC PENETRATION TEST- RECENT INVESTIGATION (NOTE 5)
	W-001-04	VERTICAL BOREHOLE - PREVIOUS INVESTIGATION (TERRATECH REPORT T-1050-A DATED MARCH 2005)
	TE-A-05	TRIAL EXCAVATION - RECENT INVESTIGATION (NOTE 5)
	↑27 ↓27	DISTANCE IN FRONT OF (↑) OR BEHIND (↓) THE ALIGNMENT OF THE SECTION (IN METERS)
		ROCK QUALITY DESIGNATION (%)

SPECIAL NOTE
 The geology shown on the sections does not represent the exact reality. It is based on a geological interpretation and therefore any extrapolation and interpolation should be considered with great caution.
 The information provided here is not intended for construction purposes.

- NOTES**
- The location of the sections in plan is shown on drawing T-1050-C-0001.
 - All elevations are in meters and refer to geodetic datum.
 - The stratigraphy shown on the sections has been simplified. For a more precise stratigraphy description, refer to the boring logs.
 - Data concerning the various strata have been obtained at borehole locations only. The soil stratigraphy between boreholes may vary from that shown.
 - "Recent investigation" refers to exploration works carried out during the period of 8 February to 15 April, 2005 (report T-1050-B of May 2005) and during the period of 30 September to 4 November, 2005 (this report).
 - This drawing is to be read in conjunction with the accompanying report.

LAST SAVE: 2006/05/01 - 1:33pm
 PATH: Z:\604238\40 T-1050-C-4.dwg

ISSUE No	REV.	DATE (Y/M/D)	PURPOSE OF ISSUE	ISSUE No	REV.	DATE (Y/M/D)	PURPOSE OF ISSUE
1	0	2006-05-01	ISSUED WITH FINAL REPORT T-1050-C				

No	REVISION DESCRIPTION	DATE (Y/M/D)	No	REVISION DESCRIPTION	DATE (Y/M/D)
	INITIALS: * DESIGNED ** APPROVED			INITIALS: * DESIGNED ** APPROVED	

PROFESSIONAL SEAL

Division of SNC-LAVALIN Environment Inc.

RABASKA LNG IMPORT TERMINAL QUEBEC, CANADA

PROJECT: RABASKA - LNG RECEIVING TERMINAL LEVIS/BEAUMONT QUEBEC

TITLE: STRATIGRAPHIC SECTIONS F-F, G-G and H-H

DESIGNED	R. Bousquet, M.A.Sc., Eng.	APPROVAL	H. Madjar, M.A.Sc., Eng.
DRAWN	R. Anderson	PROJECT ENGINEERING MANAGER	
CHECKED	R. Bousquet, M.A.Sc., Eng.		
DATE	2005-11-20	CLIENT	

SCALE: 1 : 1 000 (HOR.) 1 : 500 (VERT.)

PROJECT No	SUBDIVISION	SUBJECT	SERIAL	REV.
T-1050-C	0000	4G DD	0004	0

A1-HOR-FRAME-EN (S)

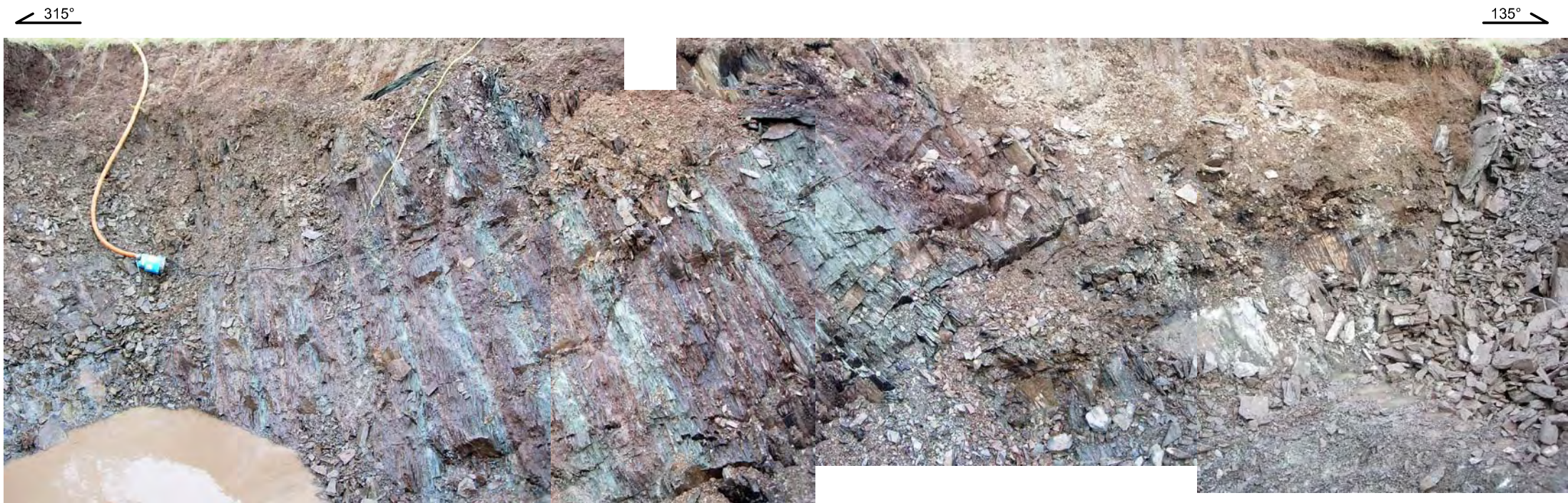
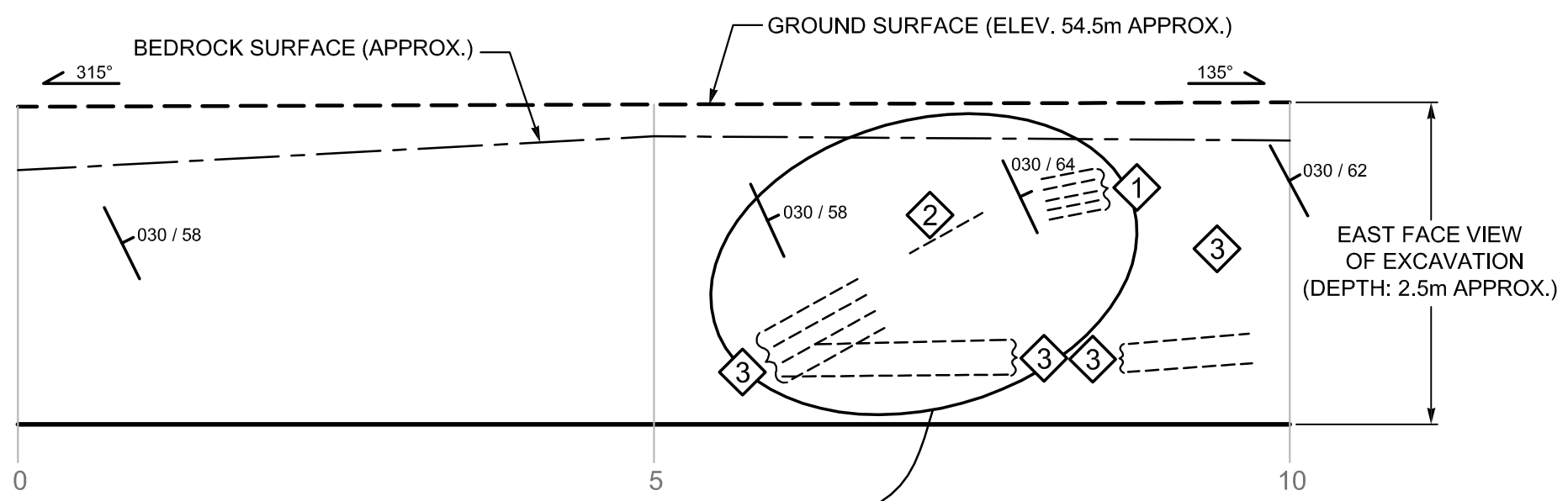


PHOTO MOSAIC SHOWING EAST FACE OF TRIAL EXCAVATION TE-A-05



VIEW OF TRIAL EXCAVATION TE-A-05 (LOOKING SOUTH-EAST, DURING EXCAVATION)



ROCK DESCRIPTION

Succession of green and red mudstone or siltstone beds from 1cm to 30cm thick, trace of dark shale interbeds (1cm thick). Bedding from 030° /58° to 030° /64°.

FAMILY JOINTS DESCRIPTION

FAMILY JOINT	NUMBER OBSERVED	ORIENTATION (°)	REMARKS
1	5	295 / 39	Open, regular and smooth surface, no filling, spaced from 5cm to 10cm
2	5	252 / 41	Open, irregular and rugged surface, filled with exsudation black mineral, spaced from 10cm to 15cm
3	4	310 / 61	Open, irregular and rugged surface, filled with exsudation black mineral, spaced at 30cm

LEGEND

- 030 / 58 BEDDING: INCLINED (ORIENTATION / DIP)
- SCHEMATIC VIEW OF OBSERVED JOINTS

NOTES

- The location of the trial excavation in plan is shown on drawing T-1050-C-0001.
- This drawing is to be read in conjunction with the accompanying report.

LAST SAVE: 2006/05/01 - 1:36pm
PATH: Z:\604238\40 T-1050-C-5.dwg

ISSUE REGISTER		ISSUE REGISTER		REVISION REGISTER		REVISION REGISTER		REFERENCE DRAWINGS	
ISSUE No	REV. DATE (Y/M/D)	PURPOSE OF ISSUE	ISSUE No	REV. DATE (Y/M/D)	PURPOSE OF ISSUE	No	REVISION DESCRIPTION	DATE (Y/M/D)	INITIALS: * DESIGNED ** APPROVED
1	0	2006-05-01	ISSUED WITH FINAL REPORT T-1050-C						

PROFESSIONAL SEAL

CLIENT: RABASKA RABASKA LNG IMPORT TERMINAL QUEBEC, CANADA

PROJECT: RABASKA - LNG RECEIVING TERMINAL LEVIS/BEAUMONT QUEBEC

TITLE: TRIAL EXCAVATION TE-A-05

PROJECT No	SUBDIVISION	SUBJECT	SERIAL	REV.
T-1050-C	0000	4G DD	0005	0

SCALE: 1:50

A1-HOR-FRAME-EN (S)